

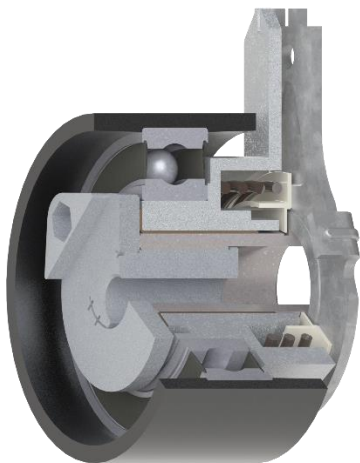
# TENSIONERS

Ima tensioners range consists of the following product families:

- Automatic timing belt tensioners (CDK)
- Timing belt tensioners (CD)
- Automatic auxiliary belt tensioners (CAK)
- Auxiliary belt tensioners (CA)

As a matter of fact, all tensioners have been identified by a mnemonic code, so as to easily spot key product features.

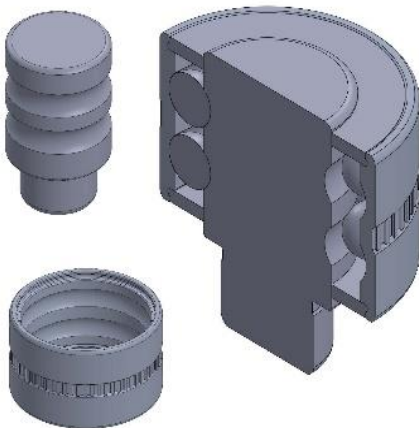
## AUTOMATIC TENSIONERS



Automatic belt tensioners are devices able not only to maintain the proper timing belt tension, but also to automatically regain belt connection.

They consist of a fixed part and an eccentrically-mounted pivoting part. A spring then connects the two part, providing the necessary strength to ensure the correct belt tension.

# TENSIONERS



Ima technical service provides customers with all the specifications necessary to select or develop the most suitable product.

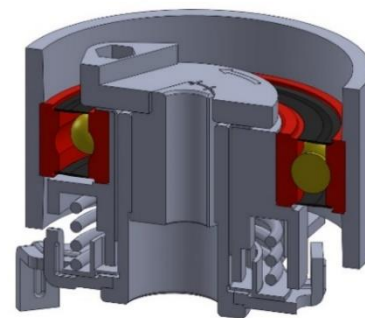
3D Design allows a fast project review process. This results in reduced development time and effective production start-up according to required specifications.

Ima's focus on quality results in an accurate material selection from top-class suppliers, such as **BASF, DUPONT** and **EXXON MOBILE**.

Bearing performance in terms of **duration, energy saving and low noise** is influenced by several factors, among which the most important are materials, rolling surfaces finishing, as well as ball precision and type of lubricant used.

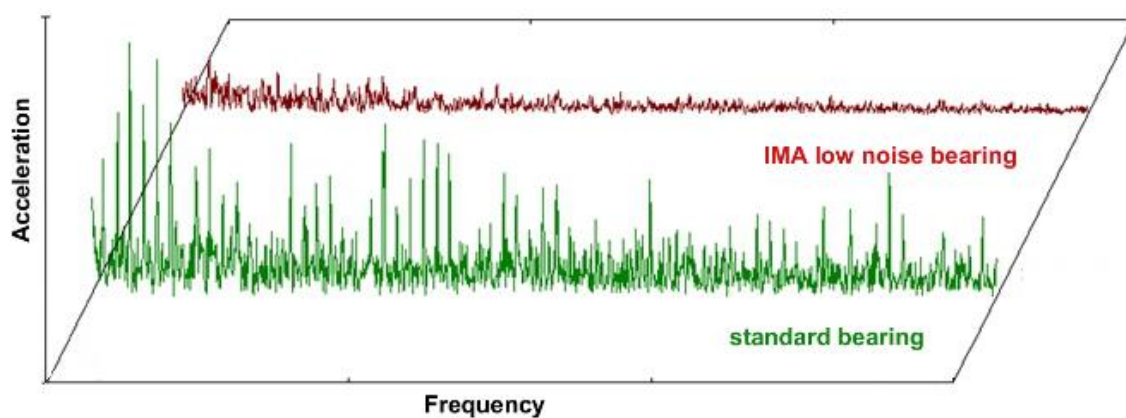
With this in mind, Ima has developed a line of MQ44 BEARINGS, also used in timing belt tensioners, characterized by:

- a very high-purity steel;
- accurate track lapping and high precision spheres;
- selection of a specific lubricant capable of working in a wide range of temperatures;
- speeds and loads ensuring reduced starting torque and low noise levels.



# TENSIONERS

## VIBRATION LEVEL FOR IMA LOW-NOISE BEARINGS COMPARED TO STANDARD BEARINGS

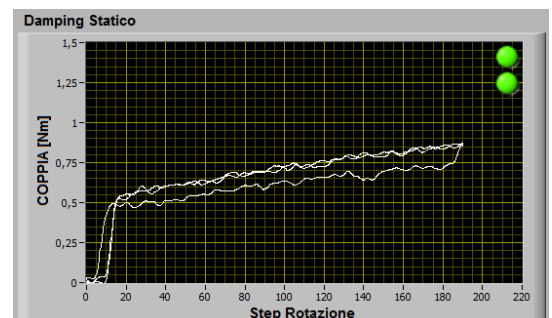
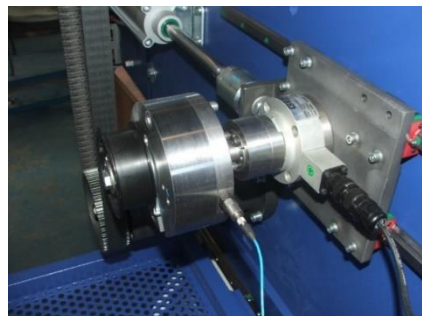
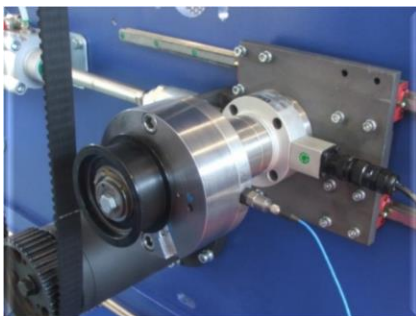


Ima tensioner bearings are characterized by low internal frictions. This ensures efficient start-ups including at cold and low working temperatures, a long fatigue life even in case of heavy loads and frequent start-ups.

The use of high-purity steel provides, at the same load, almost double the bearing life, significantly increasing fatigue life and drastically reducing contact surface wear.

Lastly, the particular internal design improves the lubricant flow.

Measurement and control equipment allows to perform the most advanced tests on product quality and durability.



# TENSIONERS

Each item leaving Ima plants is immediately traceable, being marked with a batch number and a part number.

The range of Ima tensioners is therefore the best option for energy efficiency, durability and noiselessness.

