

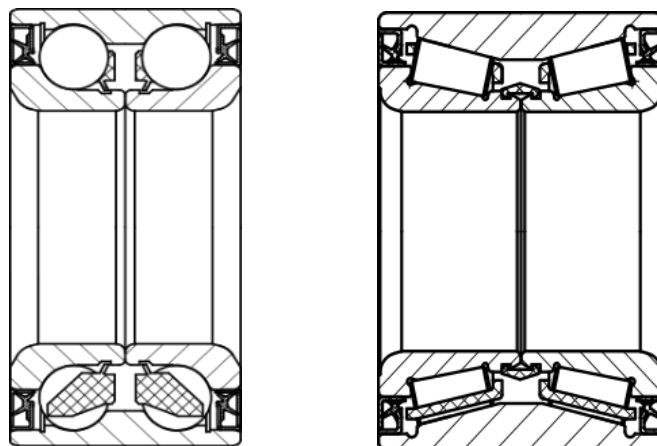
WHEEL BEARING KITS

Wheel bearing kits are safety products and thus subjected to strict controls.



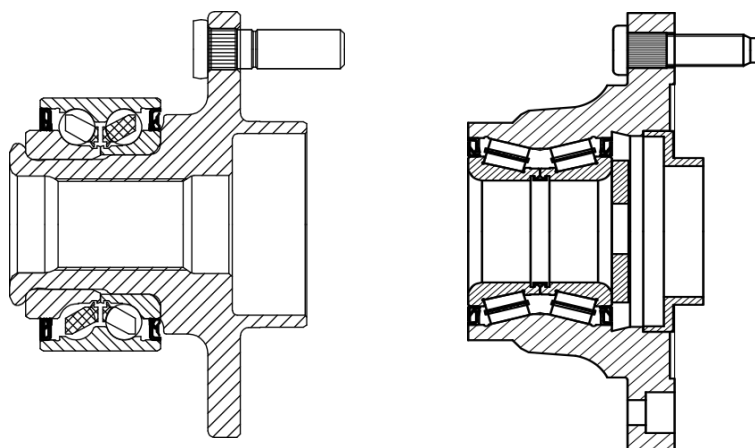
Ima produces first, second and third generation bearings complete with mounting accessories.

I GENERATION

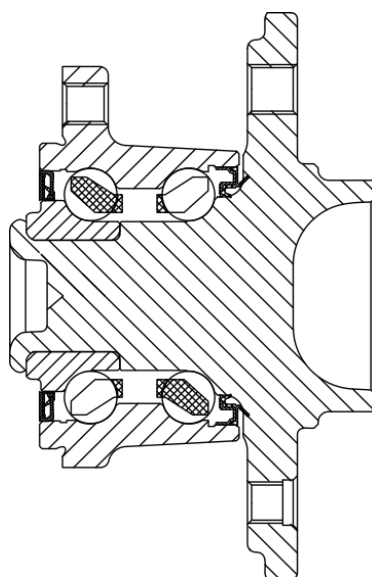


WHEEL BEARING KITS

II GENERAZIONE



III GENERAZIONE



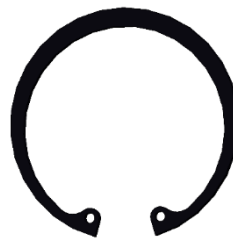
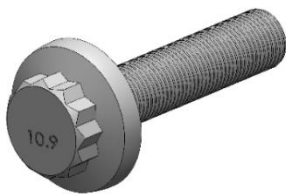
WHEEL BEARING KITS

We analyze in detail backlash, shielding, cage material, dimensions and tolerances. We use specific high-performance grease.



WHEEL BEARING KITS

All Ima suppliers are subjected to rigorous controls and certified to ISO 9001:2015.



In its kits, Ima offers screws compliant with UNI 3740, characterized by 10.9 resistance level.

The figure is composed by the number 10, which indicates the unitary breaking load expressed as N/mm^2 in hundredths, and the number 9, which shows the ratio between unitary yielding load and unitary breaking load, expressed as a decimal fraction.